

D

C

B

A

4

3

2

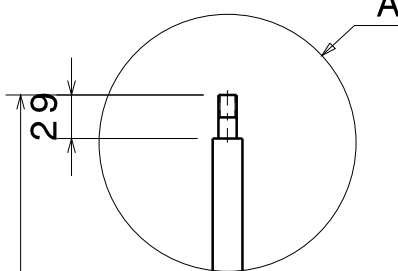
4

3

2

1

1

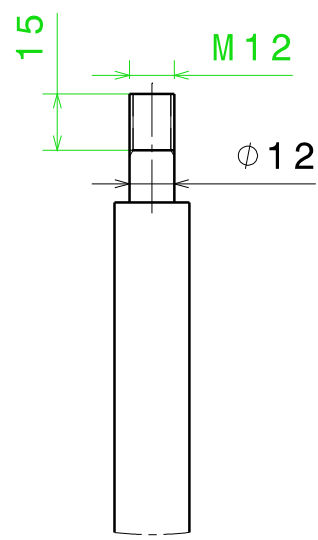


929

29

20

15

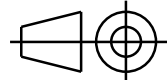


Detail A
Scale: 1:2

DESIGNED BY:
Manuel Lama
DATE:
22/08/2007

CHECKED BY:
DATE:

SIZE
A4



Barra

Proyecto Análisis Modal

SCALE
1:5

WEIGHT (kg)

DRAWING NUMBER
001

SHEET
1 / 1

I	-
H	-
G	-
F	-
E	-
D	-
C	-
B	-
A	-

This drawing is our property; it can't be reproduced or communicated without our written agreement.

D

A