

D

C

B

A

4

3

2

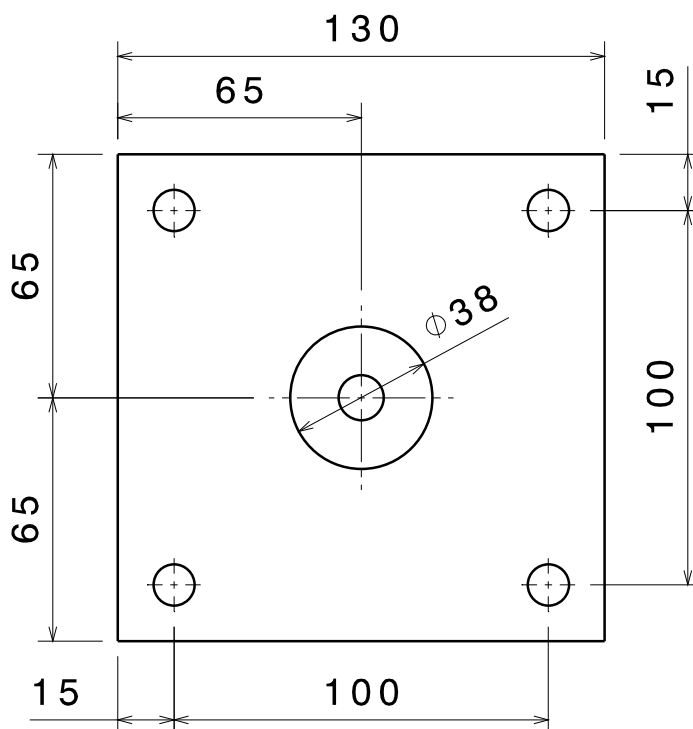
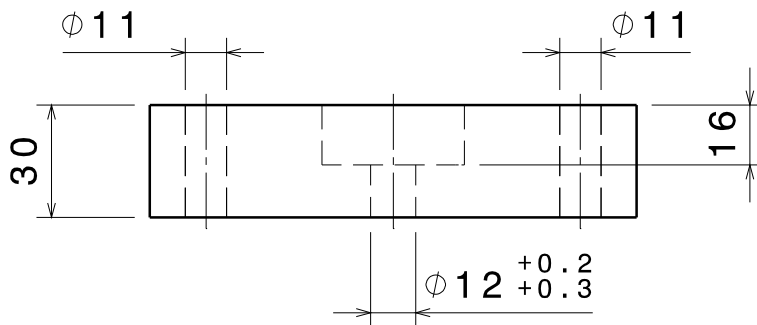
1

4

3

2

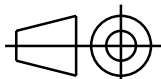
1



DESIGNED BY:
Manuel Lama
 DATE:
22/08/2007

CHECKED BY:
 DATE:

SIZE
A4



Base 1

Proyecto Análisis Modal

SCALE
1:2

WEIGHT (kg)

DRAWING NUMBER
002

SHEET
1 / 1

This drawing is our property; it can't be reproduced or communicated without our written agreement.

D

A